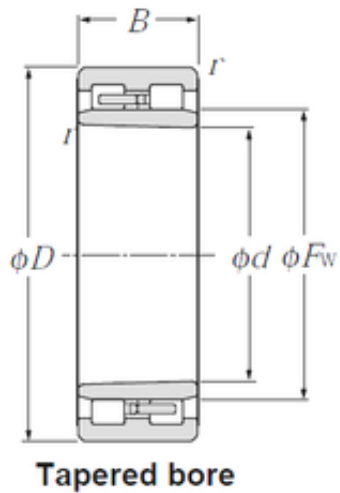




China Kubota Hydraulic Final Drive Mo...



NNU4960K NTN Cylindrical Roller Bearing

Bearing No. NNU4960K

Size	300x420x118 mm
Bore Diameter	300 mm
Outer Diameter	420 mm
Width	118 mm
d	300 mm
Fw	339 mm
D	420 mm
B	118 mm
C	118 mm
r min.	3 mm
Weight	46,4 Kg
Basic dynamic load rating (C)	1 200 kN
Basic static load rating (C0)	2 800 kN
(Grease) Lubrication Speed	1 300 r/min

NNU4960K Bearing 2D drawings and 3D CAD models